

GSDS-100 Soft-Down Stay

Downward opening

Opening Direction	Item Name	Description	Non-handed	Maximum Door Moment
 Downward-opening	GSDS-100	-	Yes	3.43~4.9 N · m/pc (35~50 kgf · cm/pc)
	GSDS-C100	With Catch		

Features

- Soft-closing for downward-opening doors
- Non-handed: Can be installed either on left or right side
- **GSDS-C100** (with catch) is designed to hold the door in fully closed position
- Catch is necessary when using **GSDS-100** (without catch)

Notes

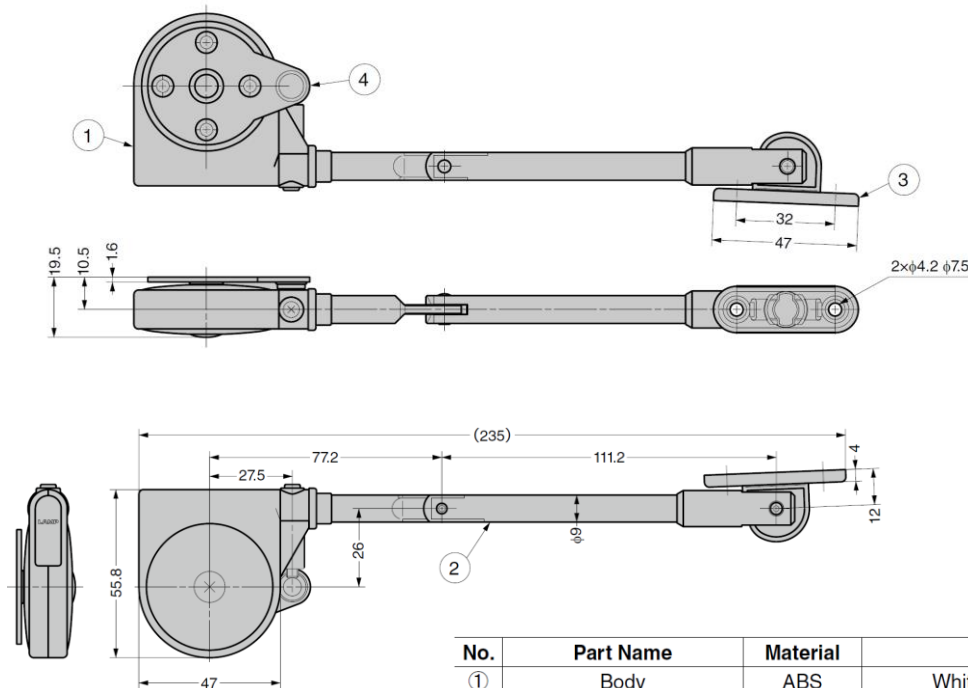
- Operating temperature: 0°C - 40°C
- When placing objects or working on the surface of opened door, install a brace or reinforcement material to support the door in addition to the stay

Parts Included

- Mounting plate **GSDS-A**
- Countersunk head tapping screw 3.5×14

Sold Separately

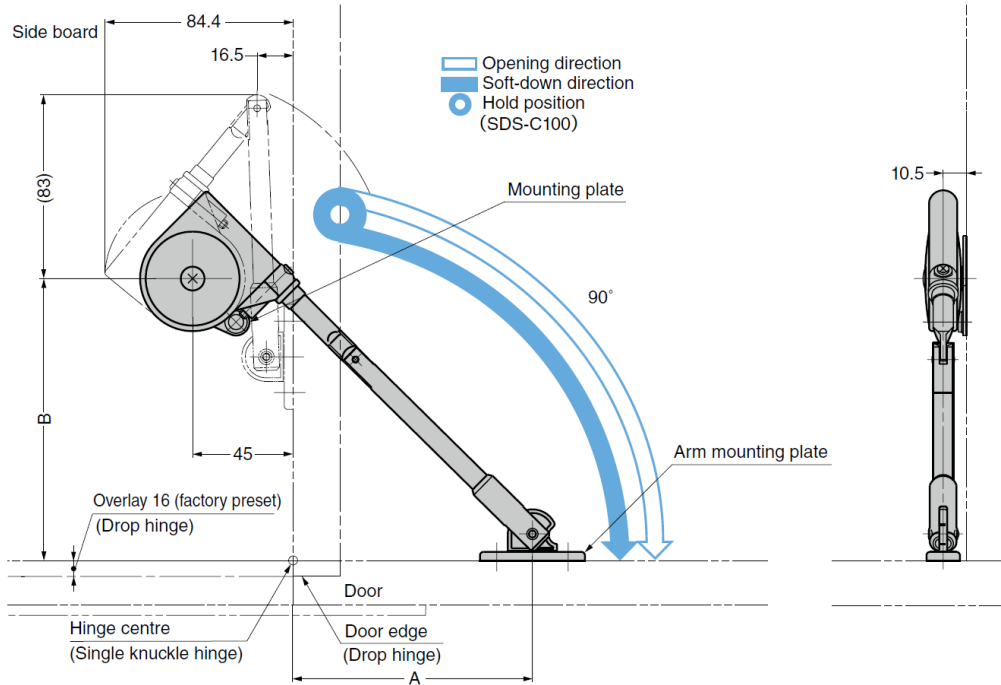
- **GSDS** face plate and spacer for glass door installation



No.	Part Name	Material	Finish/Colour
①	Body	ABS	White, Grey, Umber, Black
②	Arm	Steel (SPCC)	Nickel
③	Arm Mounting Plate		
④	Mounting Plate		

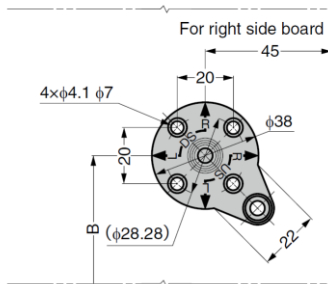
Installation Illustration: Right side installation for downward-opening 90°. Left side installation is symmetrical

Comes down slowly and softly in opening direction. Installation with piano/butt hinge or drop hinge shown below.



Installation dimensions vary depending on hinge type. Reference point of installation dimension: hinge centre for piano/butt hinge or two-piece piano hinge, while door edge for drop hinge

Installation for Mounting Plate



For right side board, install with the "→" mark of R at DS side directly upwards.
For left side board, install with the "→" mark of L at DS side directly upwards.

Hinge Type	Arm Mounting Plate Position	Mounting Plate Position
	A	B
Single Knuckle Hinge	100	135
Drop Hinge GSDH-001	107※ ₁	126
Drop Hinge GSDH-P	108.5※ ₂	124.5

※₁ In case of overlay 16mm (factory preset)
※₂ In case of overlay 19mm (factory preset)

Glass Face Plate and Spacer (Sold Separately)

Part No.	Material	Finish
GSDS-50G-CR	Zinc Alloy / ABS	Chrome / Black
GSDS-50G-BL		Black Enamel Finish / Black

Body

Part No.	Type	Material	Finish	Maximum Door Moment (per piece)	
GSDS-100-W	Without Catch	ABS / Steel	Nickel / White	3.43 ~ 4.9 N.m	35 ~ 50 kgf.cm
GSDS-C100-W	With Catch				
GSDS-100-G	Without Catch		Nickel / Grey		
GSDS-C100-G	With Catch				
GSDS-100-U	Without Catch		Nickel / Umber		
GSDS-C100-U	With Catch				
GSDS-100-B	Without Catch		Nickel / Black		
GSDS-C100-B	With Catch				

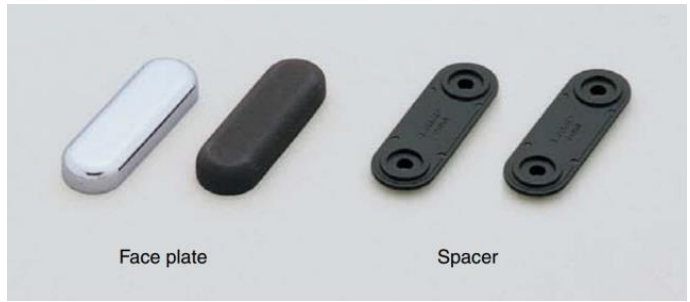
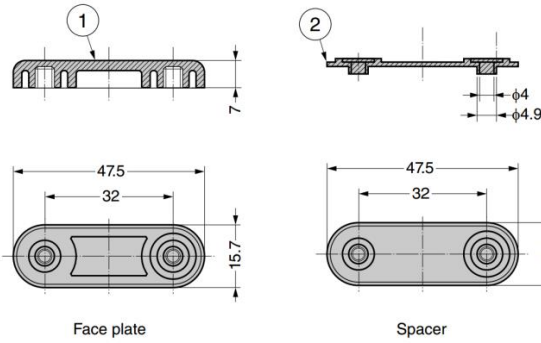
GSDS-50G Face Plate And Spacer For Glass Door

Features

- Glass door face plate for **GSDS** and **GNSDX** lid supports

Parts Included

- Countersunk head screw M4×14 (2 pcs)



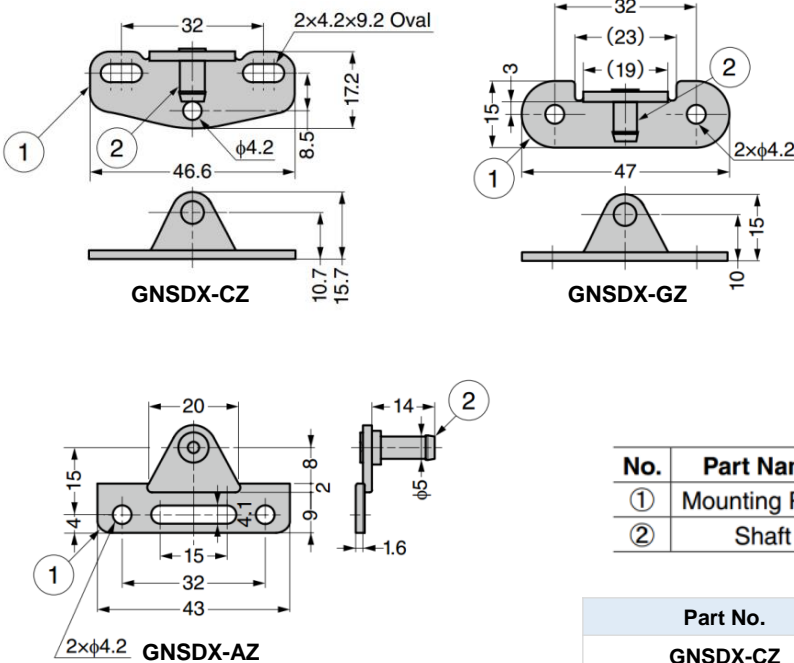
No.	Part Name	Material	Finish
①	Face Plate	Zinc Alloy (ZDC)	Chrome (CR), Black (BL)
②	Spacer	ABS	Black

Part No.	Finish
GSDS-50G-CR	Chrome
GSDS-50G-BL	Black

GNSDX Mounting Plate

Features

- Mounting plate for quick installation of **GNSDX** lid supports / stays
- Three types available



No.	Part Name	Material	Finish
①	Mounting Plate	Steel (SPCC)	Nickel
②	Shaft	Steel (SWCH)	

Part No.	Finish
GNSDX-CZ	Clip-on
GNSDX-AZ	Clip-on for 20 mm aluminium frame
GNSDX-GZ	Clip-on for glass door